



SMOKEY JOE® PREMIUM

ASSEMBLY GUIDE

Read owner's guide before using the barbecue.

Lisez le guide d'utilisation avant d'utiliser le barbecue.

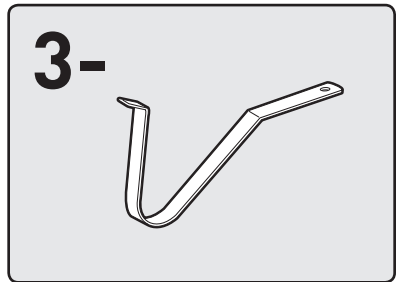
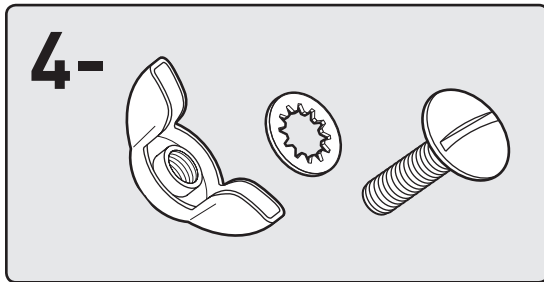
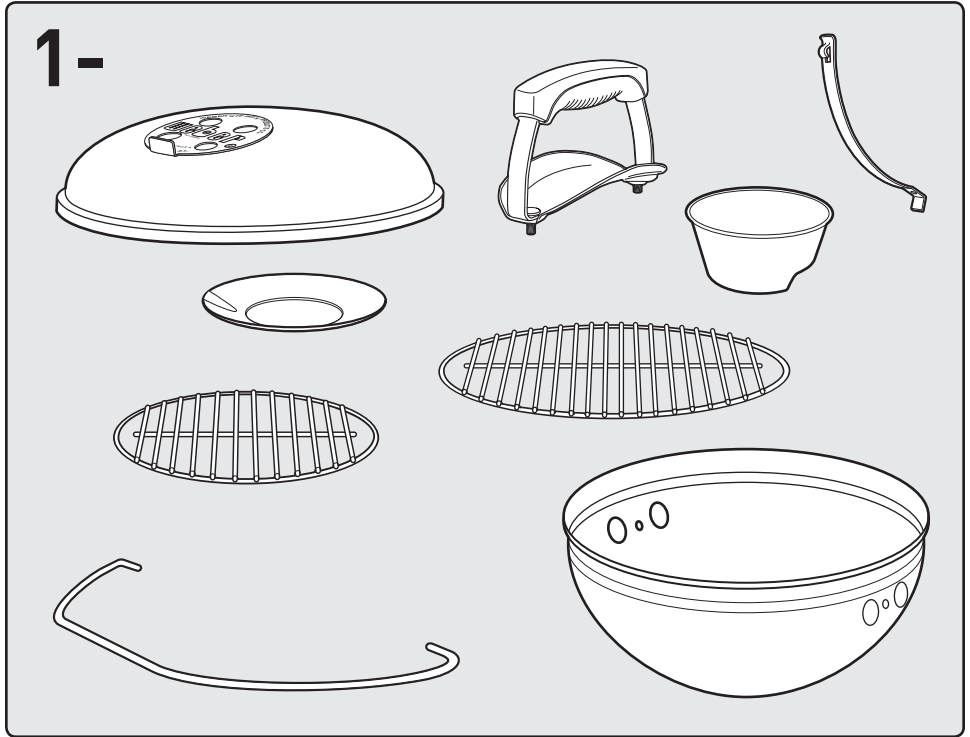
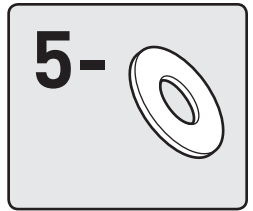
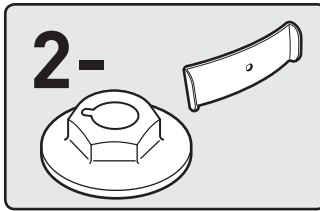
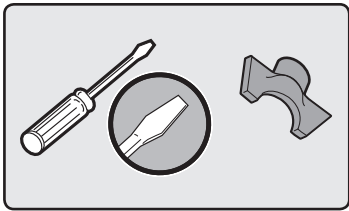
Bitte lesen Sie das Benutzerhandbuch, bevor Sie den Grill verwenden.

14 inch
(37 cm)

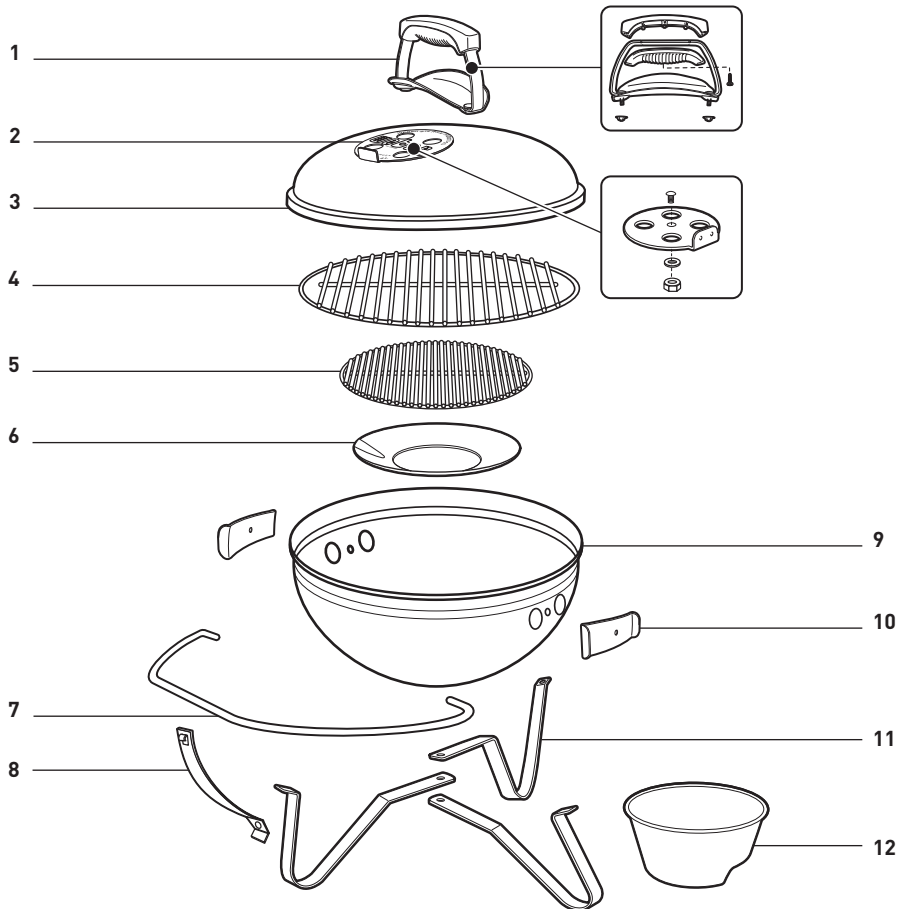


54233

EU 06/24/14

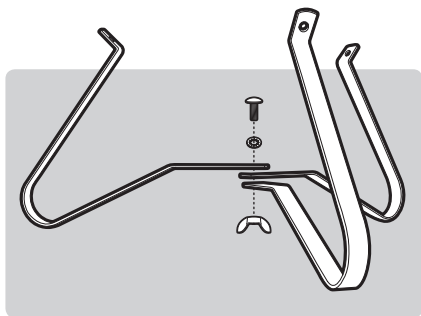


Smokey Joe® Premium_XV_EU_053014



- | | | |
|---|---|---|
| <p>EN</p> <ol style="list-style-type: none"> 1. Lid Handle Assembly 2. Lid Damper Assembly 3. Lid 4. Cooking Grate 5. Charcoal Grate 6. Catch Pan 7. Tuck-N-Carry® Lid Holder / Lid Lock 8. Lower Support Assembly 9. Bowl 10. Bowl Vent Assembly 11. Leg 12. Charcoal Cup | <p>FR</p> <ol style="list-style-type: none"> 1. Kit poignée de couvercle 2. Clapet de ventilation couvercle 3. Couvercle 4. Grille de cuisson 5. Grille foyer 6. Bac de récupération 7. Guide-couvercle / Verrouillage couvercle Tuck-N-Carry® 8. Kit support inférieur 9. Cuve 10. Clapet d'aération cuve 11. Pied 12. Doseur à charbon de bois | <p>DE</p> <ol style="list-style-type: none"> 1. Deckelgriff 2. Deckellüfter 3. Deckel 4. Grillrost 5. Holzkohlerost 6. Auffangschale 7. Tuck-N-Carry®-Deckelhalter / Deckelverriegelung 8. Untere Halterung 9. Kessel 10. Entlüftung am Kessel 11. Bein 12. Holzkohletasse |
|---|---|---|

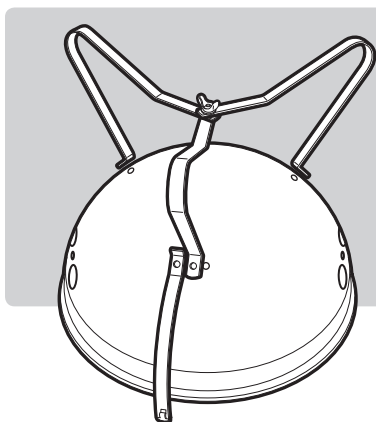
1



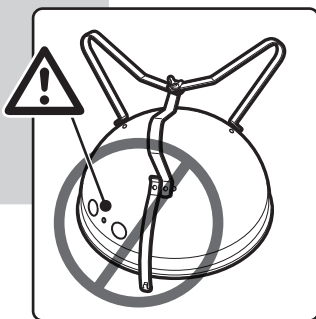
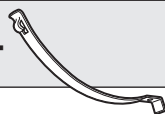
1-



2

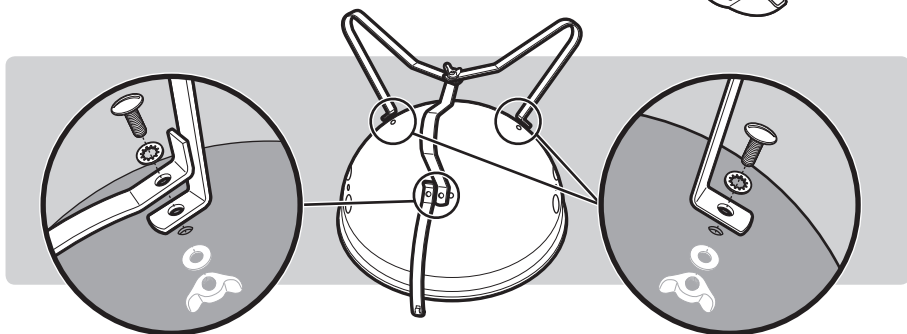


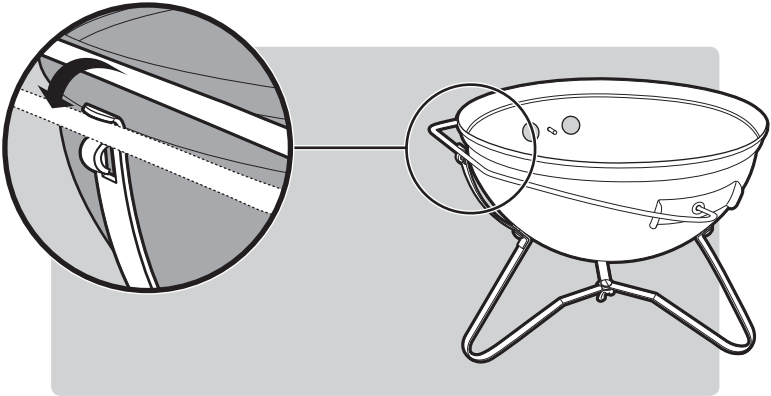
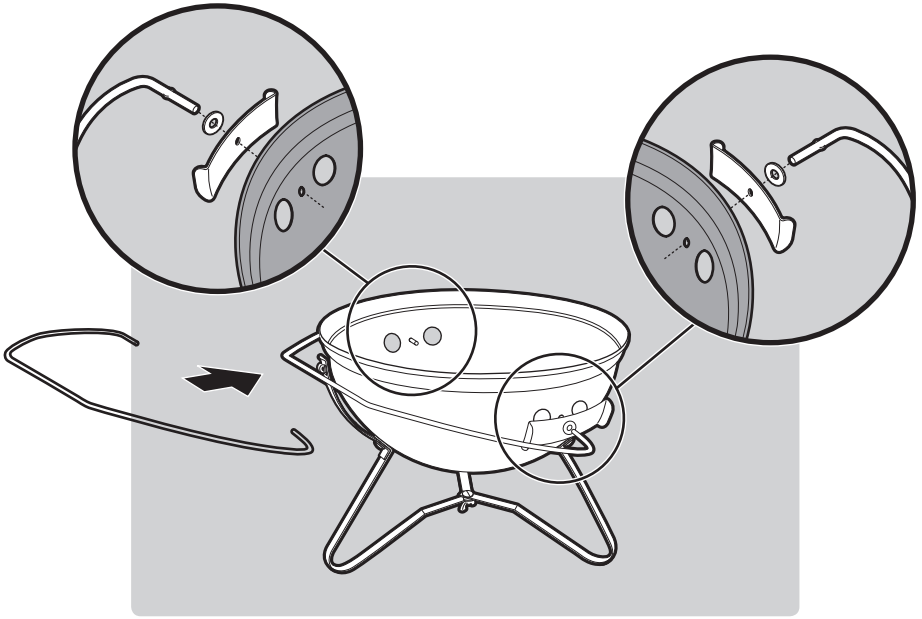
1-



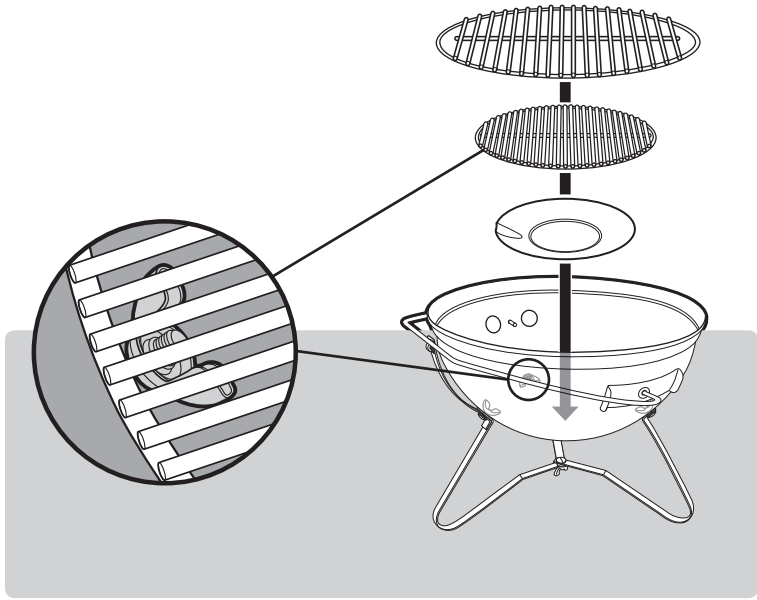
3

3-

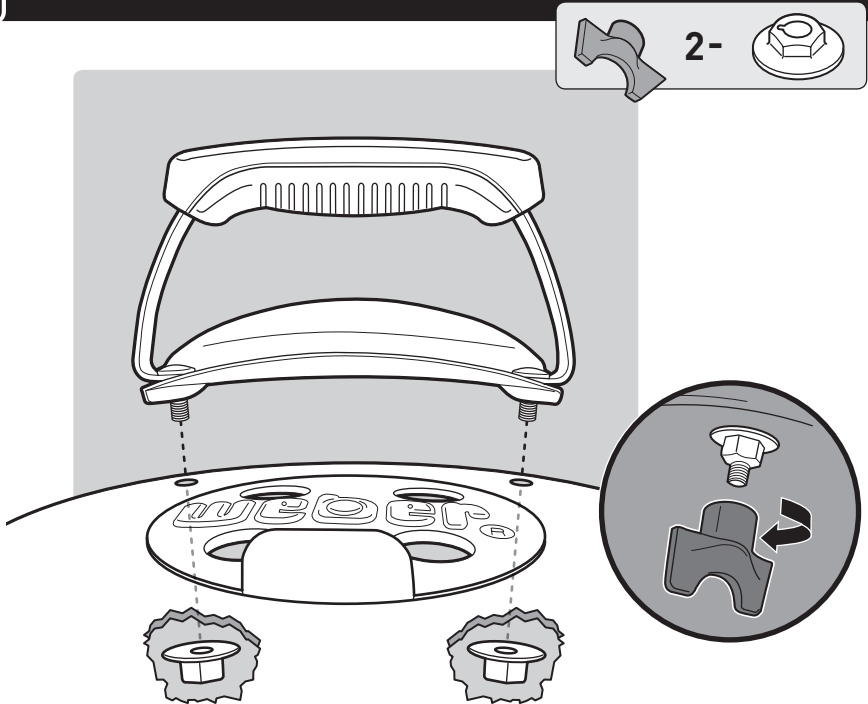


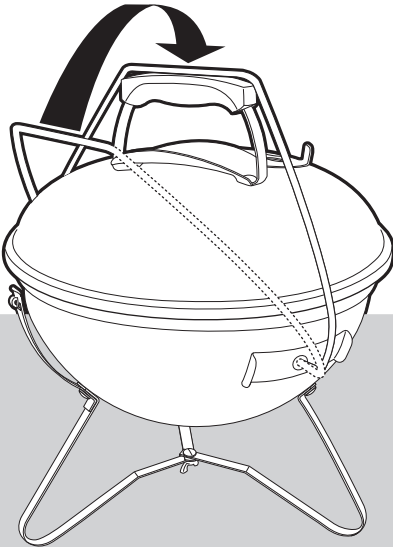
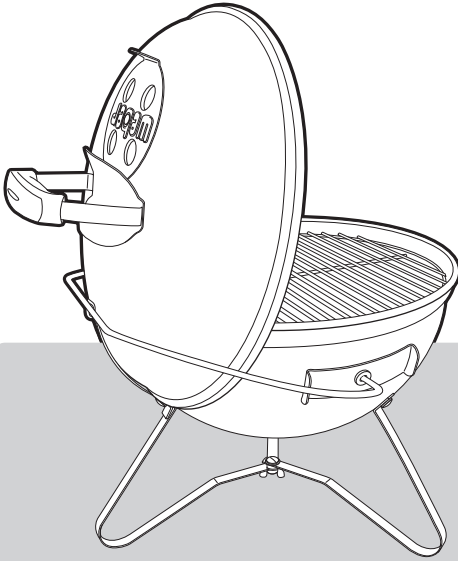


5



6







WEBER-STEPHEN PRODUCTS LLC
www.weber.com[®]

© 2014 Designed and engineered by Weber-Stephen Products LLC,
200 East Daniels Road, Palatine, Illinois 60067 U.S.A.