



ЕВРОПЕЙСКИЕ КАМИНЫ

СЕТЬ САЛОНОВ

OFFER 2018/2019

PANADERO

HARMONIE TRIVISION



HARMONIE TRIVISION EcoDesign PANADERO



MEASUREMENTS

DIMENSIONS H x W x D	889x796x482 mm
GROSS/NET WEIGHT	160/150 kg
FIREWOOD ENTRANCE	620x286 mm
SMOKE OUTLET	Ø 150-153 mm

CHARACTERISTICS

CAST-IRON GRILL	
VIEW OF THE FIRE FROM THREE SIDES	
IRON SHEET BODY	5 mm
NOMINAL HEAT OUTPUT	7,2 KW
EFFICIENCY	78,9%
CO EMISSIONS	0,09%
HEAT RESISTANT PAIT RESISTANCE	800°C
PRINTET GLASS RESISTANCE	750°C

EAN 8426964184105
REF. PANADERO 18410

FEATURES

COMPLYING WITH ECODESIGN 2022

- TIGHT



EXTERNAL AIR INTAKE



VERMICULIT LINING



WOOD LOGS 60 CM



HEATING VOLUME



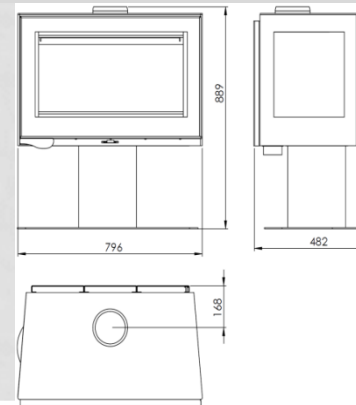
TRIPLE COMBUSTION



CLEAN-GLASS SYSTEM



DOUBLE LOCKING



A

BlmSchV2



7★

SUERTE



SUERTE EcoDesign

PANADERO

MEASUREMENTS

DIMENSIONS H x W x D	990x500x445 mm
GROSS/NET WEIGHT	122/113 kg
FIREWOOD ENTRANCE	432x337 mm
SMOKE OUTLET	Ø 150-153 mm

CHARACTERISTICS

CAST IRON GRILL	
LARGE VIEW OF THE FIRE FROM 3 SIDES	
STEEL SHEET BODY	5 mm
NOMINAL HEAT OUTPUT	8 KW
EFFICIENCY	78,5%
CO EMISSIONS	0,1%
HEAT RESISTANT PAINT	800°C
PRINTET GLASS RESISTANCE	750°C

EAN 8426964181500
REF. PANADERO 18150

FEATURES

**COMPLYING WITH ECODESIGN
2022**

- TIGHT



EXTERNAL AIR
INTAKE



VERMICULITE LINING



WOOD LOG STORE



WOOD LOGS 50 CM



200
m³ HEATING VOLUME



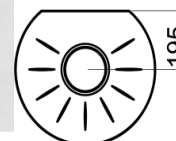
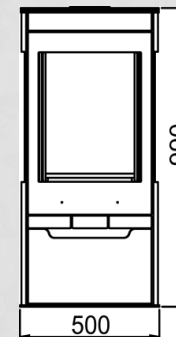
TRIPLE COMBUSTION



CLEAN GLASS
SYSTEM



DOUBLE LOCK



V K F A E A I

BlmSchV2



flamme
VERTE

Le label
du chauffage
au bois

7★

IRIS



IRIS EcoDesign

PANADERO



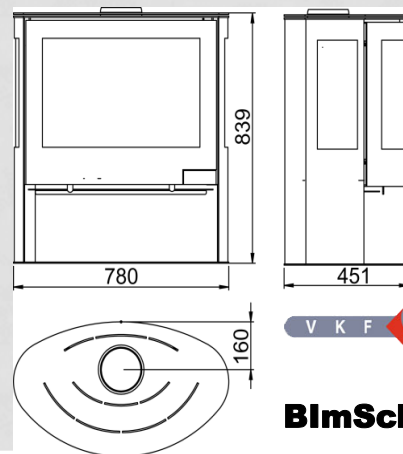
MEASUREMENTS

DIMENSIONS H x W x D	839x780x451 mm
GROSS/NET WEIGHT	120/110 kg
FIREWOOD ENTRANCE	390x570 mm
SMOKE OUTLET	Ø 150-153 mm

CHARACTERISTICS

CAST IRON GRILL	
LARGE VIEW OF THE FIRE FROM 3 SIDES	
STEEL SHEET BODY	5 mm
NOMINAL HEAT OUTPUT	7,8 KW
EFFICIENCY	76,8%
CO EMISSIONS	0,06%
HEAT RESISTANT PAINT	800°C
PRINTET GLASS RESISTANCE	750°C

EAN 8426964182002
REF. PANADERO 18200



FEATURES

COMPLYING WITH ECODESIGN 2022

- TIGHT



EXTERNAL AIR INTAKE



VERMICULITE LINING



WOOD LOG STORE



WOOD LOGS 60 CM



HEATING VOLUME



DOUBLE COMBUSTION



CLEAN GLASS SYSTEM



DOUBLE LOCK



BlmSchV2



flamme
VERTE

Le label
du chauffage
au bois

7★



BOHEME



BOHEME EcoDesign

PANADERO



MEASUREMENTS

DIMENSIONS H x W x D	819x718x447 mm
GROSS/NET WEIGHT	143/135 kg
FIREWOOD ENTRANCE	600x370 mm
SMOKE OUTLET	Ø 150-153 mm
OVEN	690x400x60 mm

CHARACTERISTICS

CAST IRON DOOR & GRILL	
NOMINAL HEAT OUTPUT	7,1 KW
EFFICIENCY	81,1 %
CO EMISSIONS	0,1 %
HEAT RESISTANT PAINT	800°C
PRINTET GLASS RESISTANCE	750°C

EAN 8426964186758
REF. PROVEEDOR 18675

FEATURES

COMPLYING WITH ECODESIGN2022

- TIGHT



OVEN



WOOD LOGS 60
CM



280
m³ HEATING VOLUME



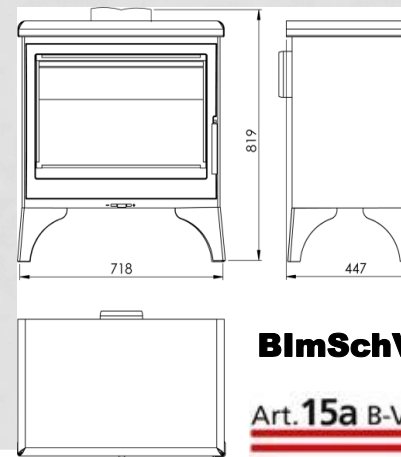
CLEAN GLASS
SYSTEM



DOUBLE
COMBUSTION



DOUBLE STEEL SHEET
BODY 5 + 3 MM



BlmSchV2

Art. 15a B-VG



FENIX



FENIX EcoDesign

PANADERO

MEASUREMENTS

DIMENSIONS H x W x D **854x796x463 mm**

GROSS/NET WEIGHT **155/141 kg**

FIREWOOD ENTRANCE **620x286 mm**

SMOKE OUTLET **Ø 150-153 mm**

CHARACTERISTICS

CAST IRON GRILL

PANORAMIC VISION

STEEL SHEET BODY **5 mm**

NOMINAL HEAT OUTPUT **7,2 KW**

EFFICIENCY **78,9%**

CO EMISSIONS **0,09%**

HEAT RESISTANT PAINT **800°C**

PRINTET GLASS RESISTANCE **750°C**

EAN 8426964184150
REF. PANADERO 18415

FEATURES

COMPLYING WITH ECODESIGN 2022

- TIGHT



EXTERNAL AIR INTAKE



VERMICULITE LINING



WOOD LOGS 60 CM



HEATING VOLUME



TRIPLE COMBUSTION



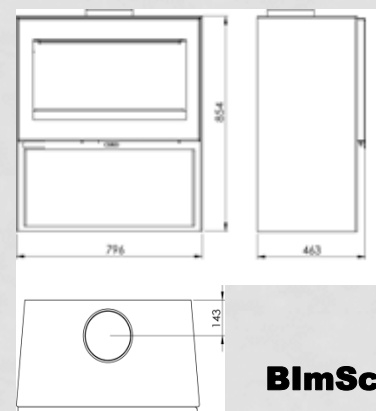
CLEAN GLASS SYSTEM



DOUBLE LOCK



WOOD LOG STORE



BlmSchV2



flamme
VERTE

Le label
du chauffage
au bois



DELTA



DELTA EcoDesign

PANADERO



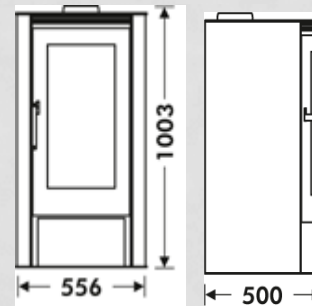
MEASUREMENTS

DIMENSIONS H x W x D	1003x556x500 mm
GROSS/NET WEIGHT	152/142 kg
FIREWOOD ENTRANCE	300x560 mm
SMOKE OUTLET	Ø 150-153 mm

CHARACTERISTICS

CAST IRON GRILL	
STEEL SHEET BODY	5 mm
NOMINAL HEAT OUTPUT	10 KW
EFFICIENCY	78,7%
CO EMISSIONS	0,09%
HEAT RESISTANT PAINT	800°C
PRINTET GLASS RESISTANCE	750°C

EAN 8426964183559
REF. PANADERO 18355



FEATURES

COMPLYING WITH ECODESIGN 2022

- TIGHT



EXTERNAL AIR INTAKE



VERMICULITE LINING



DOUBLE STEEL BODY 5+ 2,5 MM



WOOD LOG STORE



WOOD LOGS 50 CM



HEATING VOLUME



CLEAN GLASS SYSTEM



DOUBLE COMBUSTION



BlmSchV2



flamme
VERTE

Le label
du chauffage
au bois

7★

**DALAM
SOAPSTONE**



DALAM Soap EcoDesign

PANADERO



MEASUREMENTS

DIMENSIONS HxWxD	1038x556x500 mm
GROSS/NET WEIGHT	172/162 kg
FIREWOOD ENTRANCE	300x560 mm
SMOKE OUTLET	Ø 150-153 mm






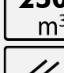
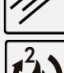

CHARACTERISTICS

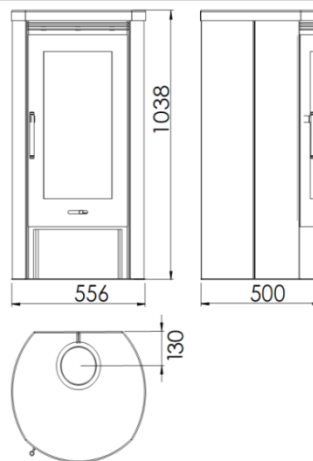
CAST-IRON GRILL	
STEEL SHEET BODY	5 mm
NOMINAL HEAT OUTPUT	10 KW
EFFICIENCY	78,7%
CO- EMISSIONS	0,09%
HEAT RESISTANT PAINT	800°C
PRINTET GLASS RESISTANCE	750°C

FEATURES

COMPLYING WITH ECODESIGN 2022

- TIGHT

-  EXTERNAL AIR INTAKE
-  VERMICULIT LINING
-  NATURAL STONE
-  WOOD LOG STORE
-  WOOD LOGS 50 CM
-  **250** m³ HEATING VOLUME
-  CLEAN GLASS SYSTEM
-  DOUBLE COMBUSTION



BlmSchV2

V K F  A E A I



flamme
VERTE

Le label
du chauffage
au bois



ALLEGRO EcoDesign

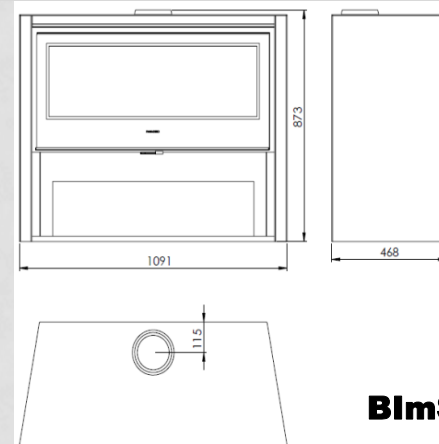
PANADERO



MEASUREMENTS

DIMENSIONS H x W x D	873x1091x468 mm
GROSS/NET WEIGHT	148/139 kg
FIREWOOD ENTRANCE	870x300 mm
SMOKE OUTLET	Ø 150-153 mm
CHARACTERISTICS	Verticale
CAST-IRON GRILL	
NOMINAL HEAT OUTPUT	9 KW
EFFICIENCY	80,8 %
CO EMISSIONS	0,05 %
HEAT-RESISTANT PAINT	800°C
PRINTET GLASS RESISTANCE	750°C

EAN 8426964180206
REF. PANADERO 18020



FEATURES

COMPLYING WITH ECODESIGN 2022

- TIGHT



EXTERNAL AIR INTAKE



VERMICULITE LINING



DOOR WITH PRINTET GLASS



WOOD LOGS 80 CM



WOOD LOG STORE



CLEAN GLASS SYSTEM



DOUBLE COMBUSTION



A+



TÜVRheinland®
CERT
ISO 9001

BlmSchV2

flamme
VERTE

Le label
du chauffage
au bois

7★

SYDNEY



SYDNEY EcoDesign

PANADERO



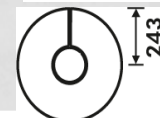
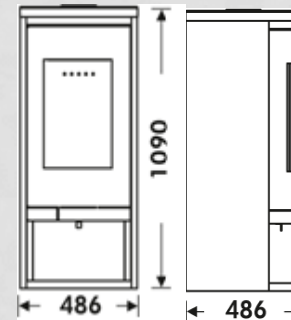
MEASUREMENTS

DIMENSIONS H x W x D	1090x486x486 mm
GROSS/NET WEIGHT	141/133 kg
FIREWOOD ENTRANCE	380x300 mm
SMOKE OUTLET	Ø 150-153 mm

CHARACTERISTICS

CAST IRON GRILL	
NOMINAL HEAT OUTPUT	6,3 KW
EFFICIENCY	76,4%
CO EMISSIONS	0,1%
HEAT RESISTANT PAINT	800°C
PRINTET GLASS RESISTANCE	750°C

EAN 8426964182507
REF. PANADERO 18250



FEATURES

COMPLYING WITH ECODESIGN 2022

- TIGHT



EXTERNAL AIR INTAKE



VERMICULITE LINING



DOUBLE STEEL SHEET BODY 4 + 2,5 MM



WOOD LOG STORE



WOOD LOGS 50 CM



275 m³

HEATING VOLUME



CLEAN GLASS SYSTEM



TRIPLE COMBUSTION



NATURAL STONE



DOUBLE LOCK



BlmSchV2



flamme
VERTE

Le label
du chauffage
au bois

7★

OVAL



OVAL EcoDesign

PANADERO

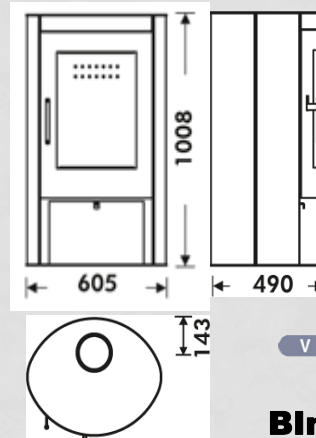
MEASUREMENTS

DIMENSIONS H x W x D	1008x605x490 mm
GROSS/NET WEIGHT	142/131 kg
FIREWOOD ENTRANCE	355x440 mm
SMOKE OUTLET	Ø 150-153 mm

CHARACTERISTICS

CAST IRON GRILL	
NOMINAL HEAT OUTPUT	11 KW
EFFICIENCY	78,2%
CO EMISSIONS	0,09%
HEAT RESISTANT PAINT	800°C
PRINTET GLASS RESISTANCE	750°C

EAN 8426964183009
REF. PANADERO 18300



FEATURES

COMPLYING WITH ECODESIGN 2022

- TIGHT



EXTERNAL AIR INTAKE



VERMICULITE LINING



DOUBLE STEEL SHEET BODY 4 + 2,5 MM



WOOD LOG STORE



WOOD LOGS 50 CM



275 m³ HEATING VOLUME



CLEAN GLASS SYSTEM



TRIPLE COMBUSTION



V K F A E A I

BlmSchV2



flamme VERTE

Le label du chauffage au bois

7★

**OVAL
1-STONE**



OVAL 1 STONE EcoDesign

PANADERO

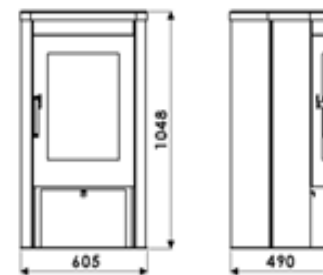
MEASUREMENTS

DIMENSIONS H x W x D	1048x605x490 mm
GROSS/NET WEIGHT	164/153 kg
FIREWOOD ENTRANCE	355x440 mm
SMOKE OUTLET	Ø 150-153 mm

CHARACTERISTICS

CAST IRON GRILL	
NOMINAL HEAT OUTPUT	11 KW
EFFICIENCY	78,2%
CO EMISSIONS	0,09%
HEAT RESISTANT PAINT	800°C
PRINTET GLASS RESISTANCE	750°C

EAN 8426964183108
REF. PANADERO 18310



FEATURES

COMPLYING WITH ECODESIGN 2022

- TIGHT



EXTERNAL AIR INTAKE



VERMICULITE LINING



DOUBLE STEEL SHEET BODY 4 + 2,5 MM



WOOD LOG STORE



WOOD LOGS 50 CM



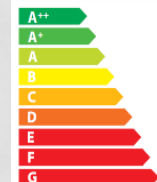
NATURAL STONE



CLEAN GLASS SYSTEM



TRIPLE COMBUSTION



A



BlmSchV2



flamme
VERTE

Le label
du chauffage
au bois

7★

MAJA-S



MAJA-S EcoDesign

PANADERO

MEASUREMENTS

DIMENSIONS H x W x D	854x796x470 mm
GROSS/NET WEIGHT	157/142 kg
FIREWOOD ENTRANCE	620x286 mm
SMOKE OUTLET	Ø 150-153 mm

CHARACTERISTICS





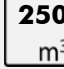



CAST IRON GRILL	
PANORAMIC VISION	
STEEL SHEET BODY	5 mm
NOMINAL HEAT OUTPUT	7,2 KW
EFFICIENCY	78,9%
CO EMISSIONS	0,09%
HEAT RESISTANT PAINT	800°C
PRINTET GLASS RESISTANCE	750°C

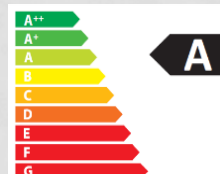
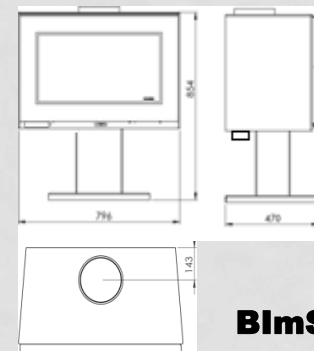
EAN 8426964184006
REF. PANADERO 18400

FEATURES

COMPLYING WITH ECODESIGN 2022

- TIGHT

-  EXTERNAL AIR INTAKE
-  VERMICULIT LINING
-  DOOR WITH PRINTET GLASS
-  WOOD LOGS 60 CM
-  250 m³ HEATING VOLUME
-  3 TRIPLE COMBUSTION
-  CLEAN GLASS SYSTEM
-  DOUBLE LOCKING



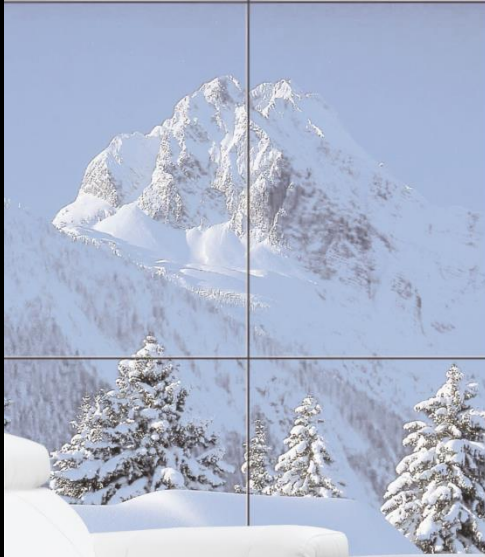
BlmSchV2



flamme
VERTE
Le label du chauffage au bois



MAJA



MAJA EcoDesign

PANADERO



MEASUREMENTS

DIMENSIONS H x W x D	854x796x470 mm
GROSS/NET WEIGHT	157/142 kg
FIREWOOD ENTRANCE	620x286 mm
SMOKE OUTLET	Ø 150-153 mm

CHARACTERISTICS

CAST IRON GRILL	
PANORAMIC VIEW	
STEEL SHEET BODY	5 mm
NOMINAL HEAT OUTPUT	7,2 KW
EFFICIENCY	78,9%
CO EMISSIONS	0,09%
HEAT RESISTANT PAINT	800°C
PRINTET GLASS RESISTANCE	750°C

FEATURES

COMPLYING WITH ECODESIGN 2022

- TIGHT



EXTERNAL AIR INTAKE



WOOD LOGS 60 CM



HEATING VOLUME



TRIPLE COMBUSTION



CLEAN GLASS SYSTEM

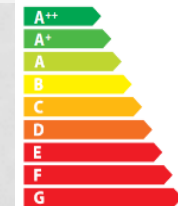
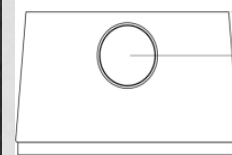


DOUBLE LOCK



VERMICULITE LINING

EAN 8426964184051
REF. PANADERO 18405



BImSchV2



flamme
VERTE

Le label
du chauffage
au bois

7★

NAXOS



NAXOS EcoDesign

PANADERO

MEASUREMENTS

DIMENSIONS H x W x D	695x640x400 mm
GROSS/NET WEIGHT	103/93 kg
FIREWOOD ENTRANCE	465x260 mm
SMOKE OUTLET	Ø 150-153 mm

CHARACTERISTICS

CAST IRON GRILL	
PANORAMIC VIEW	
STEEL SHEET BODY	4 mm
NOMINAL HEAT OUTPUT	6,7 KW
EFFICIENCY	82,9 %
CO EMISSIONS	0,07 %
HEAT RESISTANT PAINT	800°C
PRINTET GLASS RESISTANCE	750°C

EAN 8426964184501
REF. PANADERO 18450

FEATURES

**COMPLYING WITH ECODESIGN
2022**

- TIGHT



EXTERNAL AIR
INTAKE



VERMICULITE
LINING



WOOD LOGS 50 CM



240
m³ HEATING VOLUME



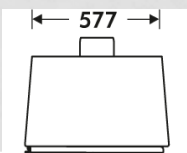
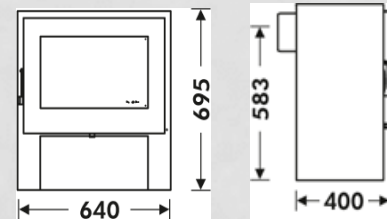
CLEAN GLASS
SYSTEM



PRINTET GLASS



TRIPLE
COMBUSTION



Art. 15a B-VG



BlmSchV2



flamme
VERTE

Le label
du chauffage
au bois

7★

NAXOS 3-STONES



NAXOS 3 STONES

EcoDesign

PANADERO



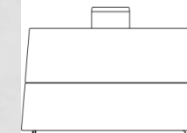
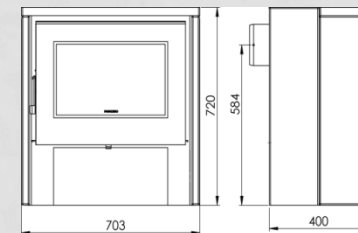
MEASUREMENTS

DIMENSIONS H x W x D	720x703x400 mm
GROSS/NET WEIGHT	140/130 kg
FIREWOOD ENTRANCE	465x260 mm
SMOKE OUTLET	Ø 150-153 mm

CHARACTERISTICS

CAST IRON GRILL	
PANORAMIC VISION	
STEEL SHEET BODY	4 mm
NOMINAL HEAT OUTPUT	6,7 KW
EFFICIENCY	82,9 %
CO EMISSIONS	0,07 %
HEAT RESISTANT PAINT	800°C
PRINTET GLASS RESISTANCE	750°C

EAN 8426964184600
REF. PANADERO 18460



FEATURES

COMPLYING WITH ECODSIGN 2022

TIGHT



EXTERNAL AIR INTAKE



VERMICULITE LINING



WOOD LOGS 50 CM



HEATING VOLUME



CLEAN GLASS SYSTEM



SERIGRAPHED GLASS



TRIPLE COMBUSTION



NATURAL STONE



A+



Art. 15a B-VG

BlmSchV2



flamme
VERTE
Le label du chauffage au bois

7★

CAPRI TRIVISION



CAPRI TRIVISION EcoDesign PANADERO

MEASUREMENTS

DIMENSIONS H x W x D	695x640x393 mm
GROSS/NET WEIGHT	103/93 kg
FIREWOOD ENTRANCE	465x260 mm
SMOKE OUTLET	Ø 150-153 mm

CHARACTERISTICS

CAST IRON GRILL	
PANORAMIC VISION	
STEEL SHEET BODY	4 mm
NOMINAL HEAT OUTPUT	6,7 W
EFFICIENCY	82,9 %
CO EMISSIONS	0,07%
HEAT RESISTANT PAINT	800°C
PRINTET GLASS RESISTANCE	750°C

EAN 8426964184556
REF. PANADERO 18455

FEATURES

**COMPLYING WITH ECODESIGN
2022**

- TIGHT



EXTERNAL AIR INTAKE



VERMICULITE
LINING



WOOD LOGS 50
CM



HEATING VOLUME



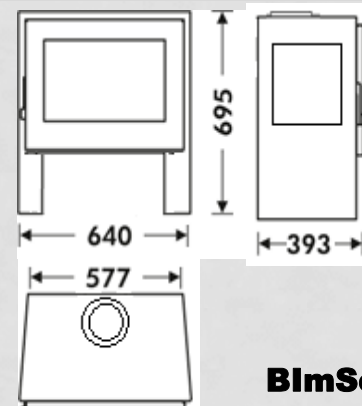
CLEAN GLASS
SYSTEM



SERIGRAPHED
GLASS



TRIPLE
COMBUSTION



Art. 15a B-VG



BlmSchV2



flamme
VERTE

Le label
du chauffage
au bois

7★

BORNEO-S



BORNEO-S EcoDesign

PANADERO



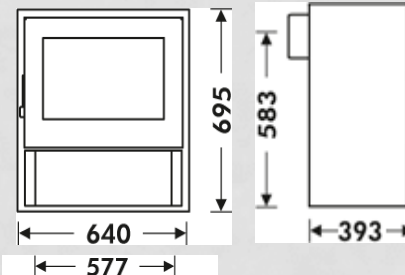
MEASUREMENTS

DIMENSIONS H x W x D	695x640x393 mm
GROSS/NET WEIGHT	103/93 kg
FIREWOOD ENTRANCE	465x260 mm
SMOKE OUTLET	Ø 150-153 mm

CHARACTERISTICS

CAST IRON GRILL	
PANORAMIC VISION	
STEEL SHEET BODY	4 mm
NOMINAL HEAT OUTPUT	6,7 W
EFFICIENCY	82,9 %
CO EMISSIONS	0,07%
HEAT RESISTANT PAINT	800°C
PRINTET GLASS RESISTANCE	750°C




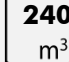




EAN 8426964184655
REF. PANADERO 18465



FEATURES

COMPLYING WITH ECODESIGN 2022

- TIGHT

-  EXTERNAL AIR INTAKE
-  VERMICULITE LINING
-  WOOD LOGS 50 CM
-  HEATING VOLUME
-  CLEAN GLASS SYSTEM
-  SERIGRAPHED GLASS
-  TRIPLE COMBUSTION
-  WOOD LOG STORE



Art. 15a B-VG



BlmSchV2



flamme
VERTE

Le label
du chauffage
au bois

7★

JAVA TRIVISION



JAVA TRIVISION EcoDesign

PANADERO



MEASUREMENTS

DIMENSIONS H x W x D	695x640x393 mm
GROSS/NET WEIGHT	103/93 kg
FIREWOOD ENTRANCE	465x260 mm
SMOKE OUTLET	Ø 150-153 mm

CHARACTERISTICS




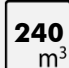




CAST IRON GRILL	
PANORAMIC VISION	
STEEL SHEET BODY	4 mm
NOMINAL HEAT OUTPUT	6,7 W
EFFICIENCY	82,9 %
CO EMISSIONS	0,07%
HEAT RESISTANT PAINT	800°C
PRINTET GLASS RESISTANCE	750°C

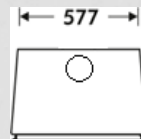
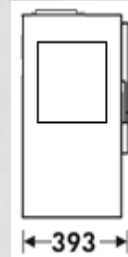
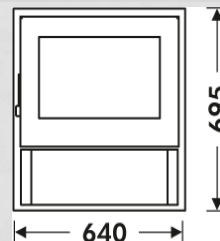
EAN 8426964184709
REF. PANADERO 18470

FEATURES

**COMPLYING WITH ECODESIGN
2022**

- TIGHT

-  EXTERNAL AIR INTAKE
-  VERMICULITE LINING
-  WOOD LOGS 50 CM
-  240 m³ HEATING VOLUME
-  CLEAN GLASS SYSTEM
-  SERIGRAPHED GLASS
-  TRIPLE COMBUSTION
-  WOOD LOG STORE



Art. 15a B-VG



BlmSchV2



flamme
VERTE

Le label
du chauffage
au bois

7★

VERNE



VERNE EcoDesign

PANADERO

MEASUREMENTS

DIMENSIONS H x W x D	797x639x400 mm
GROSS/NET WEIGHT	101/97 kg
FIREWOOD ENTRANCE	465x260 mm
SMOKE OUTLET	Ø 150-153 mm

CHARACTERISTICS

CAST IRON GRILL	
PANORAMIC VIEW	
STEEL SHEET BODY	4 mm
NOMINAL HEAT OUTPUT	6,7 KW
EFFICIENCY	82,9 %
CO EMISSIONS	0,07 %
HEAT RESISTANT PAINT	800°C
PRINTET GLASS RESISTANCE	750°C

EAN 8426964184754
REF. PANADERO 18475

FEATURES

COMPLYING WITH ECODESIGN
2022

- TIGHT



EXTERNAL AIR
INTAKE



VERMICULITE LINING



WOOD LOGS 50 CM



HEATING VOLUME



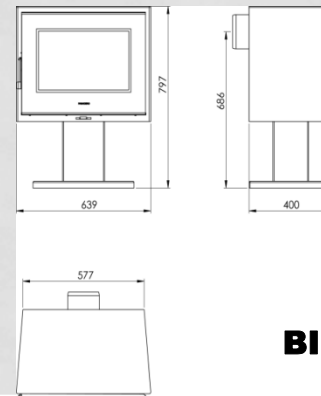
CLEAN GLASS
SYSTEM



SERIGRAPHED GLASS



TRIPLE
COMBUSTION



Art. 15a B-VG



BlmSchV2



flamme
VERTE

Le label
du chauffage
au bois

7★

ATLANTIC



ATLANTIC TRIVISION EcoDesign PANADERO

MEASUREMENTS

DIMENSIONS H x W x D	797x639x400 mm
GROSS/NET WEIGHT	101/97 kg
FIREWOOD ENTRANCE	465x260 mm
SMOKE OUTLET	Ø 150-153 mm Verticale

CHARACTERISTICS

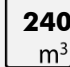
CAST-IRON GRILL	
PANORAMIC VIEW	
STEEL SHEET BODY	4 mm
NOMINAL HEAT OUTPUT	6,7 KW
EFFICIENCY	82,9%
CO EMISSION	0,07%
HEAT RESISTANT PAINT	800°C
PRINTET GLASS RESISTANCE	750°C

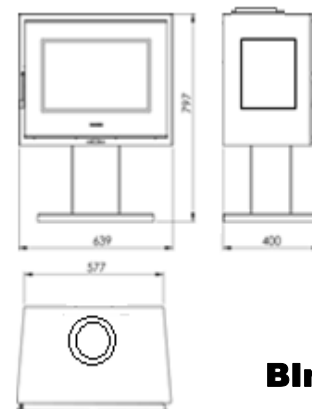
EAN 8426964184815
REF. PANADERO 18481

FEATURES

**COMPLYING WITH ECODESIGN
2022**

- TIGHT

-  EXTERNAL AIR INTAKE
-  VERMICULIT LINING
-  WOOD LOGS 50 CM
-  **240** m³ HEATING VOLUME
-  CLEAN GLASS SYSTEM
-  DOOR WITH PRINTET GLASS
-  **3** TRIPLE COMBUSTION



Art. 15a B-VG



BlmSchV2



Le label du chauffage au bois

7★

ANDES



ANDES EcoDesign

PANADERO

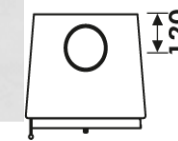
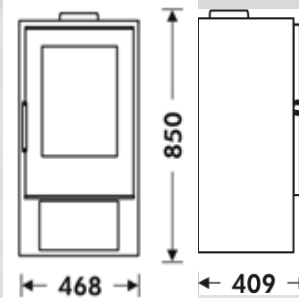
MEASUREMENTS

DIMENSIONS H x W x D	850x468x409 mm
GROSS/NET WEIGHT	118/100 kg
FIREWOOD ENTRANCE	290x360 mm
SMOKE OUTLET	Ø 150-153 mm

CHARACTERISTICS

STEEL SHEET BODY	5 mm
NOMINAL HEAT OUTPUT	7,4 KW
EFFICIENCY	78%
CO EMISSIONS	0,06%
HEAT RESISTANT PAINT	800°C
PRINTET GLASS RESISTANCE	750°C

EAN 8426964185003
REF. PANADERO 18500



FEATURES

COMPLYING WITH ECODESIGN 2022

- TIGHT



EXTERNAL AIR INTAKE



VERMICULITE LINING



SERIGRAPHED GLASS



WOOD LOG STORE



HEATING VOLUME



CLEAN GLASS SYSTEM



DOUBLE COMBUSTION



WOOD LOGS 40 CM



BlmSchV2



flamme
VERTE

Le label
du chauffage
au bois

7★

ANDES 3- STONES



ANDES 3 STONES EcoDesign PANADERO

MEASUREMENTS

DIMENSIONS H x W x D	875x532x412 mm
GROSS/NET WEIGHT	135/120 kg
FIREWOOD ENTRANCE	290x360 mm
SMOKE OUTLET	Ø 150-153 mm

CHARACTERISTICS

STEEL SHEET BODY	5 mm
NOMINAL HEAT OUTPUT	7,4 KW
EFFICIENCY	78%
CO EMISSIONS	0,06%
HEAT RESISTANT PAINT	800°C
PRINTET GLASS RESISTANCE	750°C

EAN 8426964185102
REF. PANADERO 18510

FEATURES

COMPLYING WITH ECODESIGN 2022

- TIGHT



EXTERNAL AIR INTAKE



VERMICULITE LINING



SERIGRAPHED GLASS



WOOD LOG STORE



NATURAL STONE



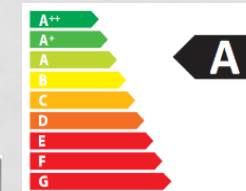
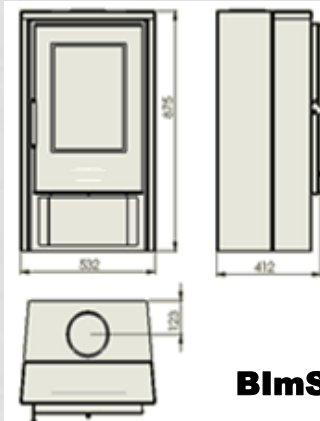
CLEAN GLASS SYSTEM



DOUBLE COMBUSTION



WOOD LOGS 40 CM



BlmSchV2



flamme
VERTE

Le label
du chauffage
au bois



CONDOR TRIVISION



CONDOR TRIVISION EcoDesign

PANADERO

FEATURES

COMPLYING WITH ECODESIGN 2022

- TIGHT



EXTERNAL AIR INTAKE



VERMICULITE LINING



PRINTET GLASS



WOOD LOG STORE



HEATING VOLUME



CLEAN GLASS SYSTEM



DOUBLE COMBUSTION



WOOD LOGS 40 CM

MEASUREMENTS

DIMENSIONS H x W x D **850x468x409 mm**

GROSS/NET WEIGHT **118/100 kg**

FIREWOOD ENTRANCE **290x360 mm**

SMOKE OUTLET **Ø 150-153 mm**

CHARACTERISTICS

STEEL SHEET BODY **5 mm**

NOMINAL HEAT OUTPUT **7,4 KW**

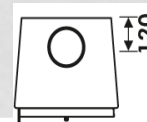
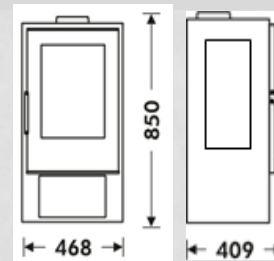
EFFICIENCY **78%**

CO EMISSIONS **0,06%**

HEAT RESISTANT PAINT **800°C**

PRINTET GLASS RESISTANCE **750°C**

EAN8426964185058
REF. PANADERO 18505



BlmSchV2



flamme
VERTE

Le label
du chauffage
au bois

7★



PANADERO DENIA S.L.

TEL.: +34 967 592 400 FAX.: +34 967 592 410

**Poligono Industrial Campollano, AVDA.5ª, Nº 13-15
Albacete 02007, SPAIN**

